

625HSK-A100

625 CNC Spindle Series

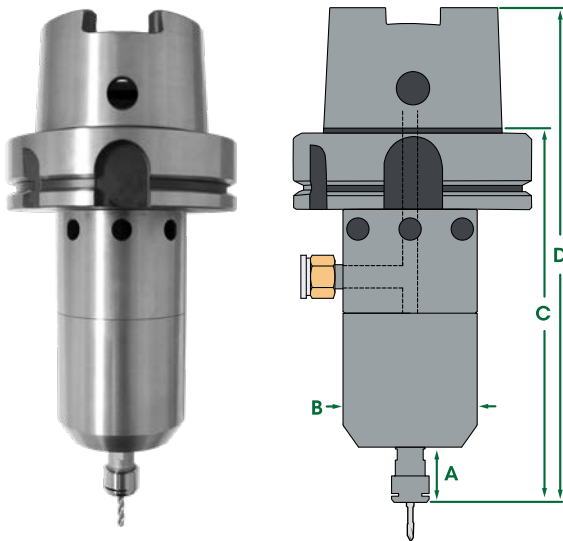


The versatile and reliable **625HSK-A100** (3/4" / 20mm Straight Shank) delivers governed constant high speeds under load - **30,000 to 65,000 rpm**, < **0.55 hp (0.41kW)**. Speed up your cycle times and reduce tool breakage with this compact series.

Ideal for mold making, milling and finishing with small tools up to 1/4" / 6mm capacity. With only 2 moving parts and air circulation over the bearings the **652HSK-A100** has no heat or thermal expansion along with 2 micron ultra precision. Get the reliability of direct drive milling with no duty cycle.

Selectable rear or side air feed.

625HSK-A100 Dimensions



All fittings, couplings, and hoses must have a minimum of 6mm internal diameter.

A	0.87" (22mm)	C	6.14" (156mm)
B	Ø 2.24" (57mm)	D	7.99" (203mm)

625HSK-A100 Specifications

Speed RPM	30,000	40,000	50,000	65,000
Power Rating hp (kW)	0.40 (0.30)	0.45 (0.34)	0.50 (0.37)	0.55 (0.41)
Inlet Air Pressure	90 PSI (6.2 Bar)			
Air Consumption Idle cfm (l/s)	12 (5.66)	14 (6.61)		16 (7.55)
Air Consumption Working Flow cfm (l/s)	11 (5.19) - 20 (9.44)			
Air Hoses and Fittings Minimum Size	6mm ID			
Sound Level	Less Than 78 dBA			
Max Shank Capacity	ER 11 UP - 1/4" (6mm)			
Spindle Weight	115.2 oz (3.26 kg)			

625HSK-A100 Series Part Numbers

ER11 UP - 1/4"		ER11 UP - 6mm	
Speed RPM	Part Number	Speed RPM	Part Number
30,000	65116	30,000	65117
40,000	65118	40,000	65119
50,000	65120	50,000	65121
65,000	65146	65,000	65135

Accessories

Model	Part Number
High Flow Filter / Regulator / Extractor	30008
Tube 10mm O.D. - 6.5mm I.D. (order by foot)	16508
Hose & Fitting - 10mm O.D. - 6.5mm I.D. - 12'	30043

Equipment Included

- 625HSK-A100 Spindle
- ER 11 UP Collet System (1/4" or 6mm)
- Collet Wrenches
- Combo Filter Extractor
- Air Hose
- Fittings
- Coolant Tube
- Carrying Case

Standard Equipment

ER 11 UP Collet System (1/4" or 6mm collet.)

Oil-free 90 psi / 6.2 bar clean, dry air supply required.

Tel:+1.561.994.0500 • www.airturbine.com • ask@airturbine.com

Supply is subject to Air Turbine Technology Inc. (ATT) distributor policies and upon terms and conditions contained in the ATT distributor agreement. Subject to availability, change of specifications, price and terms without notice. Always use a 0.3 micron filter/extractor and check specified air flow. 6.2 Bar / 90 psi clean, dry, oil-free air only. Use eye protection and follow safety instructions. All specifications approximate. © 2024 Air Turbine Technology, Inc. All rights reserved.