

740XP

Sealed Steel Series

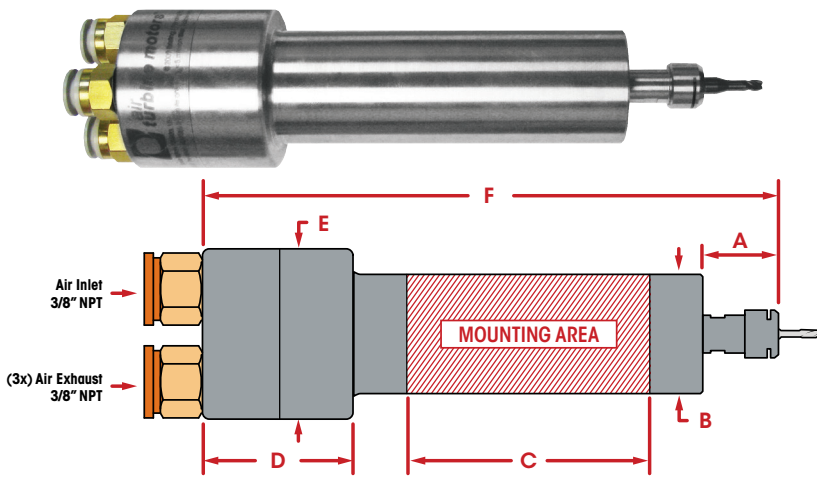


Suitable for heavier applications, the patented double turbine **740XP** generates **0.76 hp** and **50,000 rpm**. The **740XP's** governor keeps your speed high under load. This is a low vibration motor with just 2 moving parts and air-cooled ceramic bearings for reliable operation 24/7.

Versatile – for finishing, milling, and drilling. Accelerate your production and cut your repair costs and downtime. Eliminate control systems and maintenance. Ideal for lathes, swiss automatics, robotics, and finishing. Specify angular bearings for drilling.

Mountable area of \varnothing 40mm OD by 82mm. Completely sealed with hose exhausts.

740XP Dimensions



All fittings, couplings, and hoses must have a minimum of 8mm internal diameter.

A	1.09" (27.69mm)	C	3.21" (81.52mm)	E	\varnothing 2.25" (57.12mm)
B	\varnothing 1.57" (40.00mm)	D	1.99" (50.51mm)	F	7.69" (195.33mm)

740XP Specifications

Speed RPM	30,000	40,000	50,000
Power Rating hp (kW)	0.72 (0.54)	0.74 (0.55)	0.76 (0.57)
Inlet Air Pressure	90 PSI (6.2 Bar)		
Air Consumption Idle cfm (l/s)	16 (7.55)	20 (9.44)	
Air Consumption Working Flow cfm (l/s)	17 (8.02) - 45 (21.2)		
Air Hoses and Fittings Minimum Size	8mm ID		
Sound Level	Less Than 78 dBA		
Max Shank Capacity	ER 11 UP - 1/4" (6mm)		
Motor Weight	58 oz (1.64 kg)		

740XP Series Part Numbers

ER11 UP - 1/4"		ER11 UP - 6mm	
Speed RPM	Part Number	Speed RPM	Part Number
30,000	70052	30,000	70053
40,000	70054	40,000	70055
50,000	70056	50,000	70057

Accessories

Model	Part Number
High Flow Filter / Regulator / Extractor with 1/2" NPT	30084
Tube 12mm O.D. - 10mm I.D. (order by foot)	16509
Hose & Fitting - 12mm O.D. - 10mm I.D. - 12'	30045

Equipment Included

- 740XP Motor
- ER 11 UP Collet System (1/4" or 6mm)
- Collet Wrenches
- High Flow Filter / Regulator / Extractor with 1/2" NPT
- Air Hoses
- Carrying Case

Standard Equipment

ER 11 UP Collet System (1/4" or 6mm collet.)

Oil-free 90 psi / 6.2 bar clean, dry air supply required.

Tel:+1.561.994.0500 • www.airturbinetools.com • ask@airturbinetools.com

Supply is subject to Air Turbine Technology Inc. (ATT) distributor policies and upon terms and conditions contained in the ATT distributor agreement. Subject to availability, change of specifications, price and terms without notice. Always use a 0.3 micron filter/extractor and check specified air flow. 6.2 Bar / 90 psi clean, dry, oil-free air only. Use eye protection and follow safety instructions. All specifications approximate. © 2024 Air Turbine Technology, Inc. All rights reserved.