
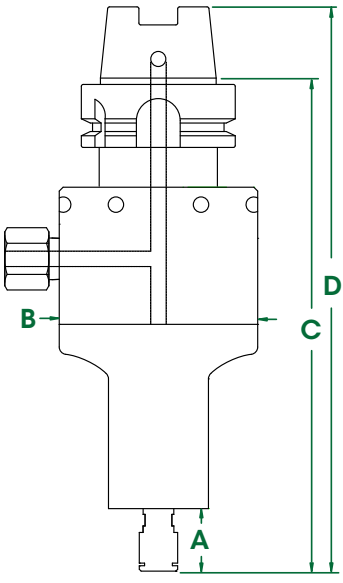


The **660HSK-A63** is ideal for heavier duty applications and milling hard materials in corners. The **660** features higher governed constant speed at **50,000 rpm** and even higher power at **0.94 hp (0.70 kW)**. Our proprietary governor controlled turbine maintains rated high speed optimizing tool performance and life. Air Turbine Spindles® direct drive turbine operates with very low vibration and no heat in 24/7 operation. As a result the **660** mills faster in all materials, including tool steel, titanium and ceramics reducing cycle times dramatically. For long life milling in hard materials this robust **660 Series** is equipped with quadruple air cooled angular contact bearings.

Economical consumption of air results from our governor adjusting cfm air flow to the minimum required to maintain high speed. With 2μ precision in its Ultra Precision Collet ER 11 the **660** is also very precise. Selectable rear or side air feed on each spindle. Automatic Loading from the magazine on all machines.

Dimensions			
			
A	0.87" (22mm)	C	7.76" (197mm)
B	3.23" (82mm)	D	8.66" (220mm)

660HSK-A63 Series Spindles			
ER11 - 1/4"		ER11 - 6mm	
Speed RPM	Part #	Speed RPM	Part #
50,000	65202	50,000	65203

Accessories	
Model	Part #
High Flow Filter / Regulator / Extractor	30008
Tube 12mm O.D. - 8mm I.D. (order by foot)	16509
Hose & Fitting - 12mm O.D. - 8mm I.D. - 12'	30045

General Specifications	660HSK-A63
Speed RPM	50,000
Power Rating hp (kW)	0.94 (0.70)
Inlet Air Pressure	90 psi (6.2 bar)
Air Consumption Idle cfm (l/s)	14 (6.61)
Air Consumption Working Flow cfm (l/s)	14 (6.61) - 35 (16.52)
Sound Level	Less Than 78 dBA
Max Shank Capacity	ER 11 - 1/4" (6mm)
Spindle Weight	112.8 oz (3.20 kg)

Standard Equipment
Spindle, combo filter extractor (p/n #30008), collet, wrenches, hose and fittings, plug (for alternate air inlet not in use) and carrying case. ER 11 collet system (1/4" or 6mm collet standard - other sizes optional).
Oil free 90 psi / 6.2 bar, clean, dry air supply required.

Tel: +1.561.994.0500 • Fax: +1.561.994.8097 • www.airturbinetools.com • info@airturbinetools.com

Do not use couplings / hoses less than 1/4" / 6mm Internal Diameter (ID). Use couplings / hoses with a minimum ID of 6.5mm for 602, 602X and 625 spindles, a minimum ID of 8mm for 625X, 650, 660 spindles and (602, 602X, 625, 625X, 650 and 660 spindles with TMA) and a minimum ID of 10mm for 650X spindles and 650X spindles with TMA). Always use a 0.3 micron filter and/or extractor where required and check specified psi or l/s air flow. Use 90 psi / 6.2 Bar clean, dry, oil-free air only. Use eye protection and follow safety instructions. Supply is subject to Air Turbine Tools Inc. terms and conditions of sale and distributor policies in effect for the time being. Subject to availability, change of specifications, price and terms without notice. All specifications approximate. Air Turbine Spindles® is the registered trade name of Air Turbine Tools, Inc. © 2022 Air Turbine Tools, Inc. All rights reserved.