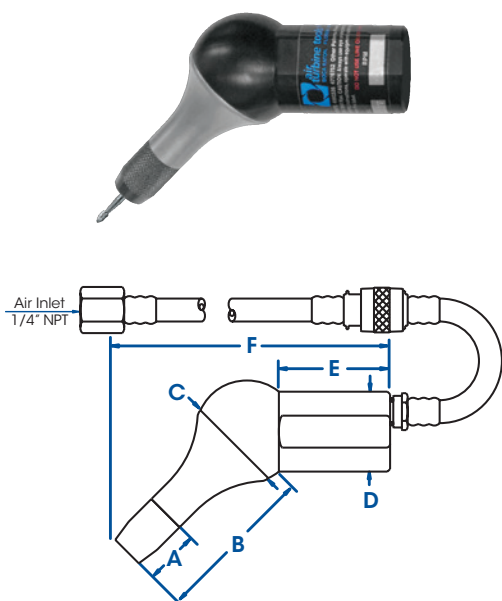


Put the **0145SSV** in your fingers or palm and experience exceptionally fine control necessary for close proximity work. Feather-light at 6 oz (0.17 kg) the **0145SSV** has lots of torque. The 0145 is so naturally balanced that it feels like an extension of your hand.

This tool is effective for precision work, marking or deburring but its so light you hardly notice you are working. Our patented 45° design conforms to the natural position of your hand for hand- eye coordination. Because the motor is in the 45° head there are no gears, vanes or brushes to vibrate or heat up. As a result the 0145 delivers direct drive reliability with only 2 moving parts combined with lower vibration and weight than a gear head.

Dimensions



A	0.85" (21.59mm)	C	1.50" (38.10mm)	E	1.74" (44.20mm)
B	2.57" (65.15mm)	D	1.25" (31.75mm)	F	4.30" (109.22mm)

0145SSV Series

1/8"		3mm	
Speed RPM	Part #	Speed RPM	Part #
40,000	35042	40,000	35043
50,000	35052	50,000	35053
65,000	35062	65,000	35063

Accessories

Model	Part #
Low Flow Filter	30002
Low Flow Filter / Regulator	30001
5' Air Supply Assembly w/Fitting for SV Models	32107

Standard Equipment

Hand Tool, 1/8" or optional 3mm collet, collet wrenches, rear exhaust. 5' air supply assembly with slide valve and 1/4" NPT air supply fitting.

Oil free 90 psi / 6.2 bar, clean, dry air supply required.

General Specifications

0145SSV

Speed RPM	40,000 / 50,000 / 65,000
Power Rating hp (kW)	0.15 (0.11) / 0.20 (0.15) / 0.20 (0.15)
Inlet Air Pressure	90 PSI (6.2 Bar)
Air Consumption Idle cfm (l/s)	3.2 (1.51) / 4 (1.89) / 4 (1.59)
Air Consumption Working Flow cfm (l/s)	4.7 (2.22) - 7 (3.30)
Sound Level	Less Than 67 dBA
Max Shank Capacity	1/8" (3mm)
Hand Tool Weight	6oz (0.17kg)

Vibration Statistics

Time to reach EAV 2.5 m/s² A(8)
30 hours, 44 minutes

Time to reach ELV 5 m/s² A(8)
122 hours, 53 minutes

Vibration magnitude m/s² r.m.s
1.28

Tel:+1.561.994.0500 • Fax: +1.561.994.8097 • www.airturbinetools.com • info@airturbinetools.com

Do not use couplings/hoses less than 1/4" / 6mm Internal Diameter (ID). With 230, 525X, and 3090 units use a minimum 3/8" / 9.5mm ID coupling/hose. For 230X units use a minimum 10mm ID coupling/hose. Always use a 5 micron filter and/or extractor where required and check specified PSI or L/S air flow. Use 6.2 Bar / 90 psi clean, dry, oil-free air only. Use eye protection and follow safety instructions. Supply is subject to Air Turbine Technology Inc. (ATT) distributor policies and upon terms contained in the ATT distributor agreement. Subject to availability, change of specifications, price and terms without notice. All specifications approximate.
© 2014 Air Turbine Technology, Inc. All rights reserved.