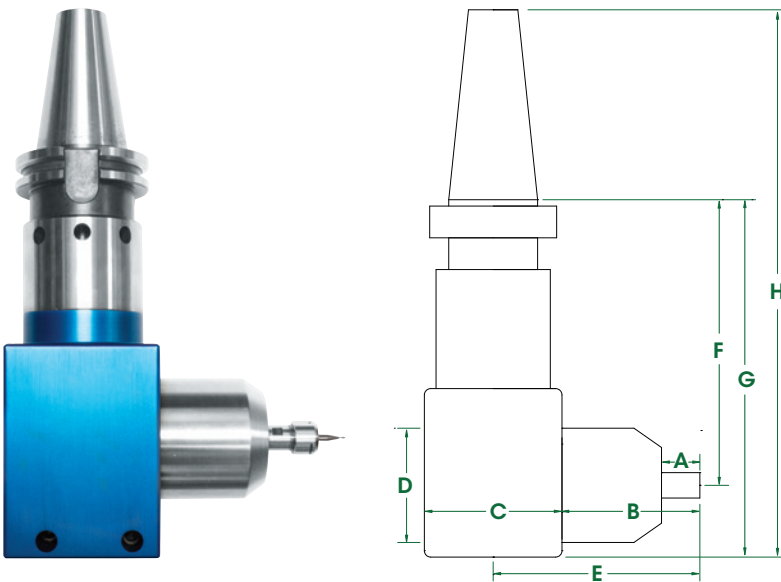


Improve your cycle times dramatically and maintain continuous high speed engagement in angles and pockets with **625X90CAT40** spindle. The direct drive governed 90° 625X90 mills with no duty cycle at constant high speed with ultra low vibration - improving accuracy and rigidity. Rigid steel construction in one piece with the toolholder reduces the height of the unit. The entire motor is in the 90° head. There are no gears or HF brushes to vibrate or burn up as in other 90° heads.

Air Turbine Spindles® patented double turbines deliver extra power to 0.78 hp (0.58 kW) to maintain stable high speed and torque under load. Accelerate your feed rates. Select governed speeds at 30,000, 40,000, 50,000 and 65,000 rpm. Ideal for mold making, milling, finishing with small cutter capacities, optimizing cutting tool life and performance. Automatic loading from your CNC Magazine for complete integration of constant high speed in your programs.

Dimensions



A	0.76"	E	4.07"
B	2.72"	F	5.62"
C	2.71"	G	7.04"
D	2.25"	H	10.78"

625X90CAT40 Series Spindles

ER11 - 1/4"		ER11 - 6mm	
Speed RPM	Part #	Speed RPM	Part #
30,000	64824	30,000	64825
40,000	64826	40,000	64827
50,000	64828	50,000	64829
65,000	65190	65,000	65191

Accessories

Model	Part #
High Flow Filter / Regulator / Extractor	30008
Tube 12mm O.D. - 8mm I.D. (order by foot)	16509
Hose & Fitting - 12mm O.D. - 8mm I.D. - 12'	30045

General Specifications

625X90CAT40

Speed RPM	30,000 / 40,000 / 50,000 / 65,000
Power Rating hp (kW)	0.72 (0.54) / 0.74 (0.55) / 0.76 (0.57) / 0.78 (0.58)
Inlet Air Pressure	90 PSI (6.2 Bar)
Air Consumption Idle cfm (l/s)	19 (8.97) / 20 (9.44) / 20 (9.44) / 20 (9.44)
Air Consumption Working Flow cfm (l/s)	22 (10.38) - 30 (14.16)
Sound Level	Less Than 78 dBA
Max Shank Capacity	ER 11 - 1/4" (6mm)
Spindle Weight	126.4 oz (3.58 kg)

Standard Equipment

Spindle, combo filter extractor (p/n #30008), collet, wrenches, hose and fittings, plug (for alternate air inlet not in use) and carrying case. ER 11 collet system (1/4" or 6mm collet standard - other sizes optional).

Oil free 90 psi / 6.2 bar, clean, dry air supply required.

Tel: +1.561.994.0500 • Fax: +1.561.994.8097 • www.airturbinetools.com • info@airturbinetools.com

Do not use couplings / hoses less than 1/4" / 6mm Internal Diameter (ID). Use couplings / hoses with a minimum ID of 6.5mm for 602, 602X and 625 spindles, a minimum ID of 8mm for 625X, 650, 660 spindles and (602, 602X, 625, 625X, 650 and 660 spindles with TMA) and a minimum ID of 10mm for 650X, 660X spindles and (650X and 660X spindles with TMA). Always use a 0.3 micron filter and/or extractor where required and check specified psi or l/s air flow. Use 90 psi / 6.2 Bar clean, dry, oil-free air only. Use eye protection and follow safety instructions. Supply is subject to Air Turbine Tools Inc. terms and conditions of sale and distributor policies in effect for the time being. Subject to availability, change of specifications, price and terms without notice. All specifications approximate. Air Turbine Spindles® is the registered trade name of Air Turbine Tools, Inc. © 2017 Air Turbine Tools, Inc. All rights reserved.